

74LVC821A

10-bit D-type flip-flop with 5 V tolerant inputs/outputs;
positive-edge trigger; 3-state

Rev. 03 — 11 May 2004

Product data sheet

1. General description

The 74LVC821A is a high performance, low power, low voltage Si-gate CMOS device and superior to most advanced CMOS compatible TTL families.

Inputs can be driven from either 3.3 V or 5 V devices. In 3-state operation, outputs can handle 5 V. This feature allows the use of these devices as translators in a mixed 3.3 V and 5 V environment.

The 74LVC821A is a 10-bit D-type flip-flop featuring separate D-type inputs for each flip-flop and 3-state outputs for bus-oriented applications. A clock input (pin CP) and an output enable input (pin \overline{OE}) are common to all flip-flops. The ten flip-flops will store the state of their individual D-inputs that meet the set-up and hold times requirements on the LOW-to-HIGH CP transition. When pin \overline{OE} is LOW, the contents of the ten flip-flops is available at the outputs.

When pin \overline{OE} is HIGH, the outputs go to the high-impedance OFF-state. Operation of the \overline{OE} inputs does not affect the state of the flip-flops.

2. Features

- 5 V tolerant inputs and outputs; for interfacing with 5 V logic
- Wide supply voltage range from 1.2 V to 3.6 V
- Inputs accept voltages up to 5.5 V
- CMOS low power consumption
- Direct interface with TTL levels
- Flow-through pin-out architecture
- 10-bit positive edge-triggered register
- Independent register and 3-state buffer operation
- Complies with JEDEC standard JESD8-B
- ESD protection:
 - ◆ HBM EIA/JESD22-A114-B exceeds 2000 V
 - ◆ MM EIA/JESD22-A115-A exceeds 200 V.
- Specified from $-40\text{ }^{\circ}\text{C}$ to $+85\text{ }^{\circ}\text{C}$ and $-40\text{ }^{\circ}\text{C}$ to $+125\text{ }^{\circ}\text{C}$.

PHILIPS

3. Quick reference data

Table 1: Quick reference data

$GND = 0\text{ V}$; $T_{amb} = 25\text{ °C}$; $t_r = t_f \leq 2.5\text{ ns}$.

Symbol	Parameter	Conditions	Min	Typ	Max	Unit
t_{PHL} , t_{PLH}	propagation delay CP to Qn	$C_L = 50\text{ pF}$; $V_{CC} = 3.3\text{ V}$	-	3.7	-	ns
t_{PZH} , t_{PZL}	3-state output enable time \overline{OE} to Qn	$C_L = 50\text{ pF}$; $V_{CC} = 3.3\text{ V}$	-	3.5	-	ns
t_{PHZ} , t_{PLZ}	3-state output disable time \overline{OE} to Qn	$C_L = 50\text{ pF}$; $V_{CC} = 3.3\text{ V}$	-	3.0	-	ns
f_{max}	maximum clock frequency	$C_L = 50\text{ pF}$; $V_{CC} = 3.3\text{ V}$	-	200	-	MHz
C_I	input capacitance		-	5.0	-	pF
C_{PD}	power dissipation capacitance per gate	$V_{CC} = 3.3\text{ V}$	[1] [2]			
		outputs enabled	-	17	-	pF
		outputs disabled	-	11	-	pF

[1] C_{PD} is used to determine the dynamic power dissipation (P_D in μW).

$P_D = C_{PD} \times V_{CC}^2 \times f_i \times N + \Sigma (C_L \times V_{CC}^2 \times f_o)$ where:

f_i = input frequency in MHz;

f_o = output frequency in MHz;

C_L = output load capacitance in pF;

V_{CC} = supply voltage in Volts;

N = total load switching outputs;

$\Sigma (C_L \times V_{CC}^2 \times f_o)$ = sum of the outputs.

[2] The condition is $V_I = GND$ to V_{CC} .

4. Ordering information

Table 2: Ordering information

Type number	Package			
	Temperature range	Name	Description	Version
74LVC821AD	-40 °C to +125 °C	SO24	plastic small outline package; 24 leads; body width 7.5 mm	SOT137-1
74LVC821ADB	-40 °C to +125 °C	SSOP24	plastic shrink small outline package; 24 leads; body width 5.3 mm	SOT340-1
74LVC821APW	-40 °C to +125 °C	TSSOP24	plastic thin shrink small outline package; 24 leads; body width 4.4 mm	SOT355-1
74LVC821ABQ	-40 °C to +125 °C	DHVQFN24	plastic dual in-line compatible thermal enhanced very thin quad flat package; no leads; 24 terminals; body 3.5 × 5.5 × 0.85 mm	SOT815-1

5. Functional diagram

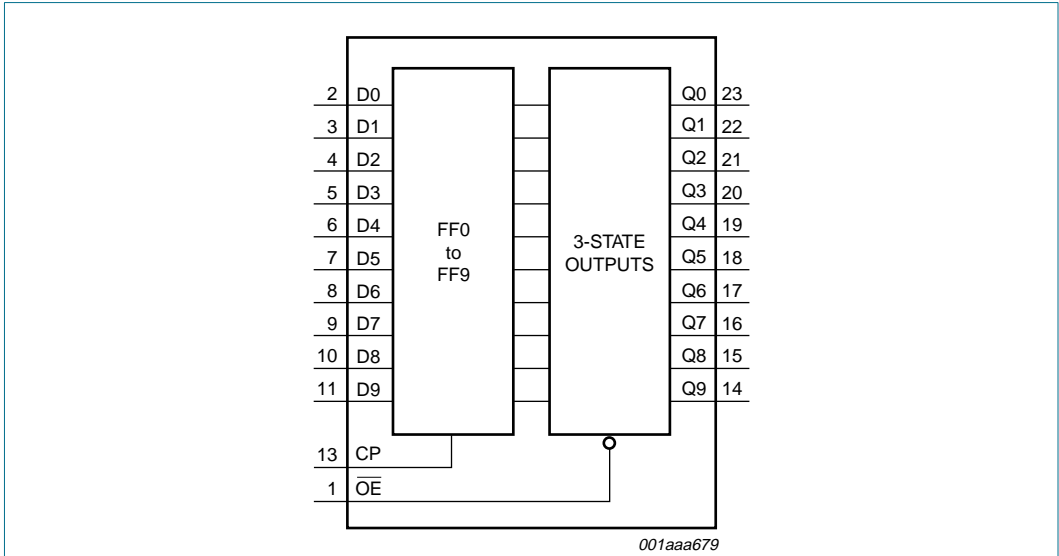


Fig 1. Functional diagram.

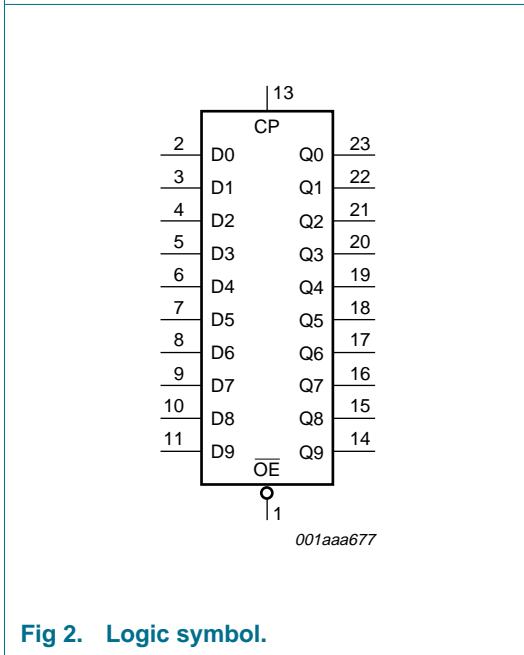


Fig 2. Logic symbol.

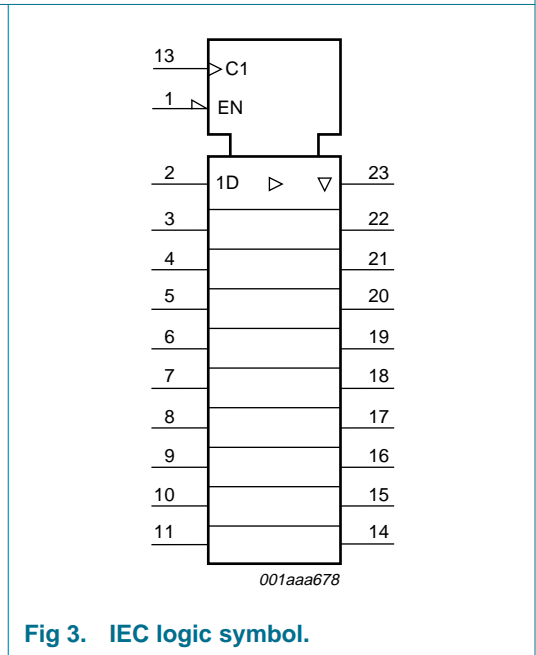


Fig 3. IEC logic symbol.

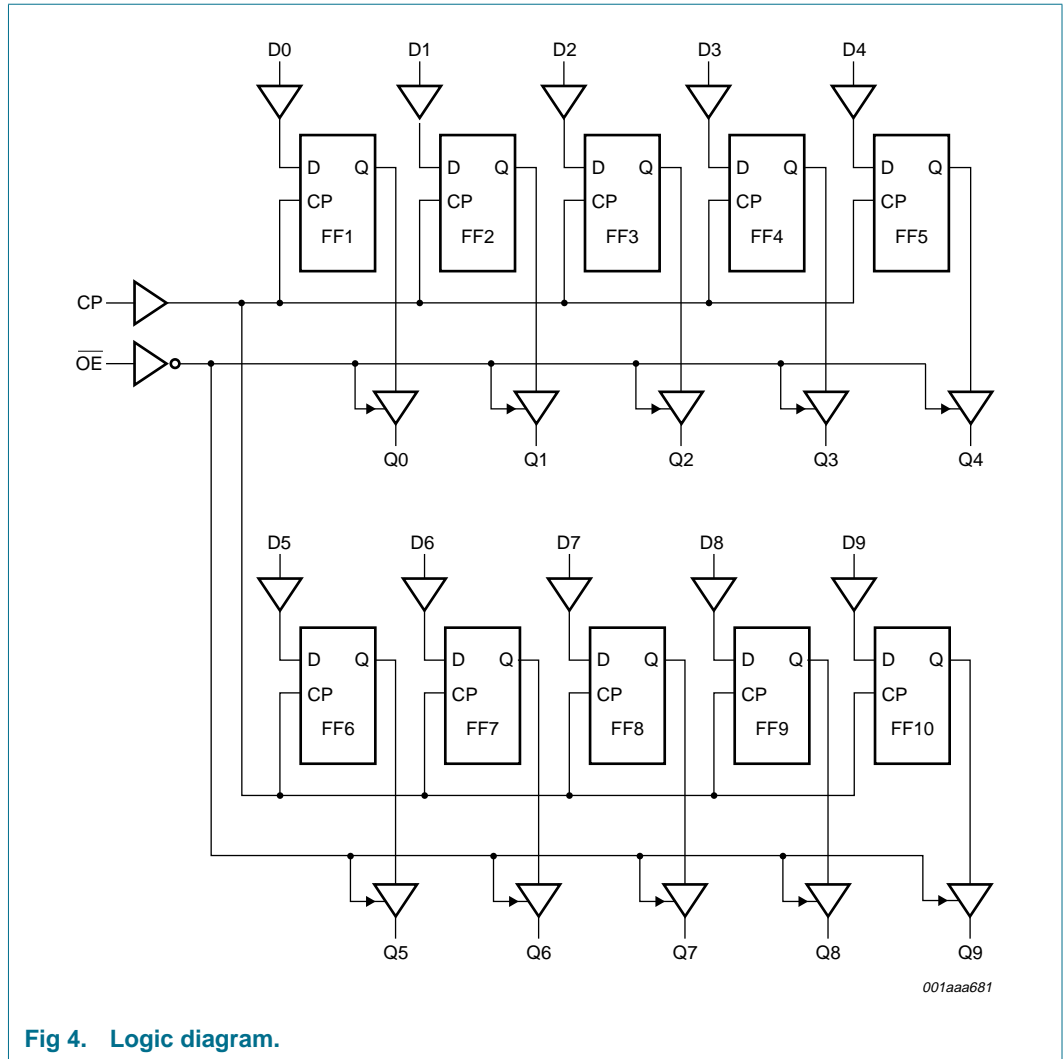


Fig 4. Logic diagram.

6. Pinning information

6.1 Pinning

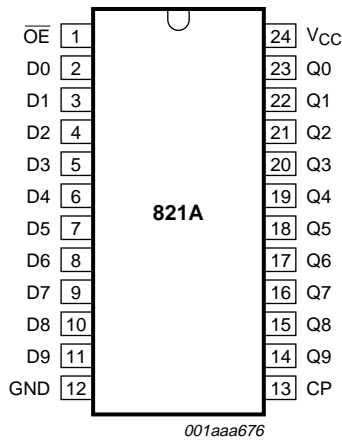
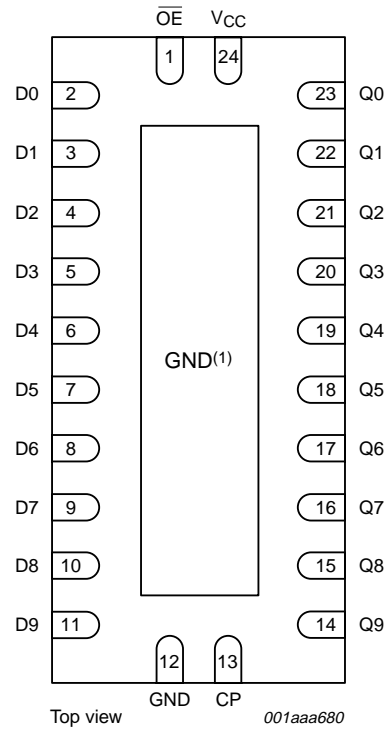


Fig 5. Pin configuration SO24 and (T)SSOP24.



(1) The die substrate is attached to this pad using conductive die attach material. It can not be used as a supply pin or input.

Fig 6. Pin configuration DHVQFN24.

6.2 Pin description

Table 3: Pin description

Symbol	Pin	Description
\overline{OE}	1	output enable input (active LOW)
D0	2	data input
D1	3	data input
D2	4	data input
D3	5	data input
D4	6	data input
D5	7	data input
D6	8	data input
D7	9	data input
D8	10	data input
D9	11	data input

Table 3: Pin description ...continued

Symbol	Pin	Description
GND	12	ground (0 V)
CP	13	clock input (LOW-to-HIGH, edge-triggered)
Q9	14	3-state flip-flop output
Q8	15	3-state flip-flop output
Q7	16	3-state flip-flop output
Q6	17	3-state flip-flop output
Q5	18	3-state flip-flop output
Q4	19	3-state flip-flop output
Q3	20	3-state flip-flop output
Q2	21	3-state flip-flop output
Q1	22	3-state flip-flop output
Q0	23	3-state flip-flop output
V _{CC}	24	supply voltage

7. Functional description

Table 4: Function table [1]

Operating mode	Input			Internal flip-flops	Output Q _n
	OE	CP	D _n		
Load and read register	L	↑	l	L	L
	L	↑	h	H	H
Load register and disable outputs	H	↑	l	L	Z
	H	↑	h	H	Z
Hold	L	H or L	X	NC	NC

- [1] H = HIGH voltage level;
h = HIGH voltage level one set-up time prior to the LOW-to-HIGH CP transition;
L = LOW voltage level;
l = LOW voltage level one set-up time prior to the LOW-to-HIGH CP transition;
Z = high-impedance OFF-state;
l = LOW voltage level one set-up time prior to the LOW-to-HIGH CP transition;
NC = no change;
X = don't care.

8. Limiting values

Table 5: Limiting values

In accordance with the Absolute Maximum Rating System (IEC 60134). Voltages are referenced to GND (ground = 0 V).

Symbol	Parameter	Conditions	Min	Max	Unit
V _{CC}	supply voltage		-0.5	+6.5	V
I _{IK}	input diode current	V _I < 0 V	-	-50	mA
V _I	input voltage		[1] -0.5	+6.5	V
I _{OK}	output diode current	V _O > V _{CC} or V _O < 0 V	-	±50	mA

Table 5: Limiting values ...continued

In accordance with the Absolute Maximum Rating System (IEC 60134). Voltages are referenced to GND (ground = 0 V).

Symbol	Parameter	Conditions	Min	Max	Unit
V _O	output voltage	HIGH or LOW state	[1] -0.5	V _{CC} + 0.5	V
		3-state	[1] -0.5	+6.5	V
I _O	output source or sink current	V _O = 0 V to V _{CC}	-	±50	mA
I _{CC} , I _{GND}	V _{CC} or GND current		-	±100	mA
T _{stg}	storage temperature		-65	+150	°C
P _{tot}	power dissipation	T _{amb} = -40 °C to +125 °C	[2] -	500	mW

[1] The input and output voltage ratings may be exceeded if the input and output current ratings are observed.

[2] For SO24 package: above 70 °C derate linearly with 8 mW/K.

For SSOP24 and TSSOP24 packages: above 60 °C derate linearly with 5.5 mW/K.

For DHVQFN24 package: above 60 °C derate linearly with 4.5 mW/K.

9. Recommended operating conditions

Table 6: Operating conditions

Symbol	Parameter	Conditions	Min	Typ	Max	Unit
V _{CC}	supply voltage	for maximum speed performance	2.7	-	3.6	V
		for low-voltage applications	1.2	-	3.6	V
V _I	input voltage		0	-	5.5	V
V _O	output voltage	HIGH or LOW state	0	-	V _{CC}	V
		3-state	0	-	5.5	V
T _{amb}	operating ambient temperature	in free air	-40	-	+125	°C
t _r , t _f	input rise and fall times	V _{CC} = 1.2 V to 2.7 V	0	-	20	ns/V
		V _{CC} = 2.7 V to 3.6 V	0	-	10	ns/V

10. Static characteristics

Table 7: Static characteristics

At recommended operating conditions; voltages are referenced to GND (ground = 0 V).

Symbol	Parameter	Conditions	Min	Typ	Max	Unit
T_{amb} = -40 °C to +85 °C [1]						
V _{IH}	HIGH-level input voltage	V _{CC} = 1.2 V	V _{CC}	-	-	V
		V _{CC} = 2.7 V to 3.6 V	2.0	-	-	V
V _{IL}	LOW-level input voltage	V _{CC} = 1.2 V	-	-	GND	V
		V _{CC} = 2.7 V to 3.6 V	-	-	0.8	V

Table 7: Static characteristics ...continued

At recommended operating conditions; voltages are referenced to GND (ground = 0 V).

Symbol	Parameter	Conditions	Min	Typ	Max	Unit	
V _{OH}	HIGH-level output voltage	V _I = V _{IH} or V _{IL}					
		I _O = -100 µA; V _{CC} = 2.7 V to 3.6 V	[2]	V _{CC} - 0.2	V _{CC}	-	V
		I _O = -12 mA; V _{CC} = 2.7 V		V _{CC} - 0.5	-	-	V
		I _O = -18 mA; V _{CC} = 3.0 V		V _{CC} - 0.6	-	-	V
V _{OL}	LOW-level output voltage	V _I = V _{IH} or V _{IL}					
		I _O = 100 µA; V _{CC} = 2.7 V to 3.6 V	[2]	-	GND	0.2	V
		I _O = 12 mA; V _{CC} = 2.7 V		-	-	0.4	V
		I _O = 24 mA; V _{CC} = 3.0 V		-	-	0.55	V
I _{LI}	input leakage current	V _I = 5.5 V or GND; V _{CC} = 3.6 V	-	±0.1	±5	µA	
I _{OZ}	3-state output OFF-state current	V _I = V _{IH} or V _{IL} ; V _O = 5.5 V or GND; V _{CC} = 3.6 V	-	0.1	±5	µA	
I _{off}	power-off leakage supply current	V _I or V _O = 5.5 V; V _{CC} = 0 V	-	0.1	±10	µA	
I _{CC}	quiescent supply current	V _I = V _{CC} or GND; I _O = 0 A; V _{CC} = 3.6 V	-	0.1	10	µA	
ΔI _{CC}	additional quiescent supply current per pin	V _I = V _{CC} - 0.6 V; I _O = 0 A; V _{CC} = 2.7 V to 3.6 V	[2]	-	5	500	µA
C _I	input capacitance		-	5.0	-	pF	
T_{amb} = -40 °C to +125 °C							
V _{IH}	HIGH-level input voltage	V _{CC} = 1.2 V		V _{CC}	-	-	V
		V _{CC} = 2.7 V to 3.6 V		2.0	-	-	V
V _{IL}	LOW-level input voltage	V _{CC} = 1.2 V		-	-	0	V
		V _{CC} = 2.7 V to 3.6 V		-	-	0.8	V
V _{OH}	HIGH-level output voltage	V _I = V _{IH} or V _{IL}					
		I _O = -100 µA; V _{CC} = 2.7 V to 3.6 V		V _{CC} - 0.3	-	-	V
		I _O = -12 mA; V _{CC} = 2.7 V		V _{CC} - 0.65	-	-	V
		I _O = -18 mA; V _{CC} = 3.0 V		V _{CC} - 0.75	-	-	V
V _{OL}	LOW-level output voltage	V _I = V _{IH} or V _{IL}					
		I _O = 100 µA; V _{CC} = 2.7 V to 3.6 V		-	-	0.3	V
		I _O = 12 mA; V _{CC} = 2.7 V		-	-	0.6	V
		I _O = 24 mA; V _{CC} = 3.0 V		-	-	0.8	V
I _{LI}	input leakage current	V _I = 5.5 V or GND; V _{CC} = 3.6 V	-	-	±20	µA	
I _{OZ}	3-state output OFF-state current	V _I = V _{IH} or V _{IL} ; V _O = 5.5 V or GND; V _{CC} = 3.6 V	-	-	±20	µA	
I _{off}	power-off leakage supply current	V _I or V _O = 5.5 V; V _{CC} = 0 V	-	-	±20	µA	
I _{CC}	quiescent supply current	V _I = V _{CC} or GND; I _O = 0 A; V _{CC} = 3.6 V	-	-	40	µA	
ΔI _{CC}	additional quiescent supply current per pin	V _I = V _{CC} - 0.6 V; I _O = 0 A; V _{CC} = 2.7 V to 3.6 V	-	-	5000	µA	

- [1] All typical values are measured $T_{amb} = 25\text{ }^{\circ}\text{C}$.
- [2] These typical values are measured at $V_{CC} = 3.3\text{ V}$.

11. Dynamic characteristics

Table 8: Dynamic characteristics

$GND = 0\text{ V}$; $t_r = t_f \leq 2.5\text{ ns}$; $C_L = 50\text{ pF}$; $R_L = 500\text{ }\Omega$; for test circuit see [Figure 10](#)

Symbol	Parameter	Conditions	Min	Typ	Max	Unit
$T_{amb} = -40\text{ }^{\circ}\text{C to } +85\text{ }^{\circ}\text{C}$ [1]						
t_{PHL}, t_{PLH}	propagation delay CP to Qn	see Figure 7				
		$V_{CC} = 1.2\text{ V}$	-	18	-	ns
		$V_{CC} = 2.7\text{ V}$	1.5	-	8.5	ns
		$V_{CC} = 3.0\text{ V to } 3.6\text{ V}$	[2] 1.5	3.7	7.3	ns
t_{PZH}, t_{PZL}	3-state output enable time \overline{OE} to Qn	see Figure 9				
		$V_{CC} = 1.2\text{ V}$	-	20	-	ns
		$V_{CC} = 2.7\text{ V}$	1.5	-	8.8	ns
		$V_{CC} = 3.0\text{ V to } 3.6\text{ V}$	[2] 1.3	3.5	7.6	ns
t_{PHZ}, t_{PLZ}	3-state output disable time \overline{OE} to Qn	see Figure 9				
		$V_{CC} = 1.2\text{ V}$	-	9.0	-	ns
		$V_{CC} = 2.7\text{ V}$	1.5	-	6.8	ns
		$V_{CC} = 3.0\text{ V to } 3.6\text{ V}$	[2] 1.5	3.0	6.2	ns
t_W	clock pulse width HIGH or LOW	see Figure 7				
		$V_{CC} = 1.2\text{ V}$	-	-	-	ns
		$V_{CC} = 2.7\text{ V}$	3.3	-	-	ns
		$V_{CC} = 3.0\text{ V to } 3.6\text{ V}$	[2] 3.3	1.7	-	ns
t_{su}	set-up time Dn to CP	see Figure 8				
		$V_{CC} = 1.2\text{ V}$	-	-	-	ns
		$V_{CC} = 2.7\text{ V}$	0.9	-	-	ns
		$V_{CC} = 3.0\text{ V to } 3.6\text{ V}$	[2] 1.9	0.6	-	ns
t_h	hold time Dn to CP	see Figure 8				
		$V_{CC} = 1.2\text{ V}$	-	-	-	ns
		$V_{CC} = 2.7\text{ V}$	1.5	-	-	ns
		$V_{CC} = 3.0\text{ to } 3.6\text{ V}$	[2] 1.5	0.0	-	ns
f_{max}	maximum clock frequency	see Figure 7				
		$V_{CC} = 1.2\text{ V}$	-	-	-	MHz
		$V_{CC} = 2.7\text{ V}$	150	-	-	MHz
		$V_{CC} = 3.0\text{ V to } 3.6\text{ V}$	[2] 150	200	-	MHz
$t_{sk(0)}$	skew	$V_{CC} = 3.0\text{ V to } 3.6\text{ V}$	[3] -	-	1.0	ns
C_{PD}	power dissipation capacitance per gate	$V_{CC} = 3.3\text{ V}$	[4] [5]			
	outputs enabled		-	17	-	pF
	outputs disabled		-	11	-	pF

Table 8: Dynamic characteristics ...continuedGND = 0 V; $t_r = t_f \leq 2.5$ ns; $C_L = 50$ pF; $R_L = 500$ Ω ; for test circuit see [Figure 10](#)

Symbol	Parameter	Conditions	Min	Typ	Max	Unit
T_{amb} = -40 °C to +125 °C						
t _{PHL} , t _{PLH}	propagation delay CP to Qn	see Figure 7				
		V _{CC} = 1.2 V	-	-	-	ns
		V _{CC} = 2.7 V	1.5	-	11.0	ns
		V _{CC} = 3.0 V to 3.6 V	1.5	-	9.5	ns
t _{PZH} , t _{PZL}	3-state output enable time \overline{OE} to Qn	see Figure 9				
		V _{CC} = 1.2 V	-	-	-	ns
		V _{CC} = 2.7 V	1.5	-	11.0	ns
		V _{CC} = 3.0 V to 3.6 V	1.3	-	9.5	ns
t _{PHZ} , t _{PLZ}	3-state output disable time \overline{OE} to Qn	see Figure 9				
		V _{CC} = 1.2 V	-	-	-	ns
		V _{CC} = 2.7 V	1.5	-	8.5	ns
		V _{CC} = 3.0 V to 3.6 V	1.5	-	8.0	ns
t _W	clock pulse width HIGH or LOW	see Figure 7				
		V _{CC} = 1.2 V	-	-	-	ns
		V _{CC} = 2.7 V	3.3	-	-	ns
		V _{CC} = 3.0 V to 3.6 V	3.3	-	-	ns
t _{su}	set-up time Dn to CP	see Figure 8				
		V _{CC} = 1.2 V	-	-	-	ns
		V _{CC} = 2.7 V	0.9	-	-	ns
		V _{CC} = 3.0 V to 3.6 V	1.9	-	-	ns
t _h	hold time Dn to CP	see Figure 8				
		V _{CC} = 1.2 V	-	-	-	ns
		V _{CC} = 2.7 V	1.5	-	-	ns
		V _{CC} = 3.0 V to 3.6 V	1.5	-	-	ns
f _{max}	maximum clock frequency	see Figure 7				
		V _{CC} = 1.2 V	-	-	-	MHz
		V _{CC} = 2.7 V	150	-	-	MHz
		V _{CC} = 3.0 V to 3.6 V	150	-	-	MHz
t _{sk(0)}	skew	V _{CC} = 3.0 V to 3.6 V	[3]	-	1.0	ns

[1] All typical values are measured T_{amb} = 25 °C.[2] These typical values are measured at V_{CC} = 3.3 V.

[3] Skew between any two outputs of the same package switching in the same direction. This parameter is guaranteed by design.

[4] C_{PD} is used to determine the dynamic power dissipation (P_D in μ W).

$$P_D = C_{PD} \times V_{CC}^2 \times f_i \times N + \Sigma (C_L \times V_{CC}^2 \times f_o) \text{ where:}$$

f_i = input frequency in MHz;f_o = output frequency in MHz;C_L = output load capacitance in pF;V_{CC} = supply voltage in Volts;

N = total load switching outputs;

 $\Sigma (C_L \times V_{CC}^2 \times f_o)$ = sum of the outputs.[5] The condition is V_I = GND to V_{CC}.

12. Waveforms

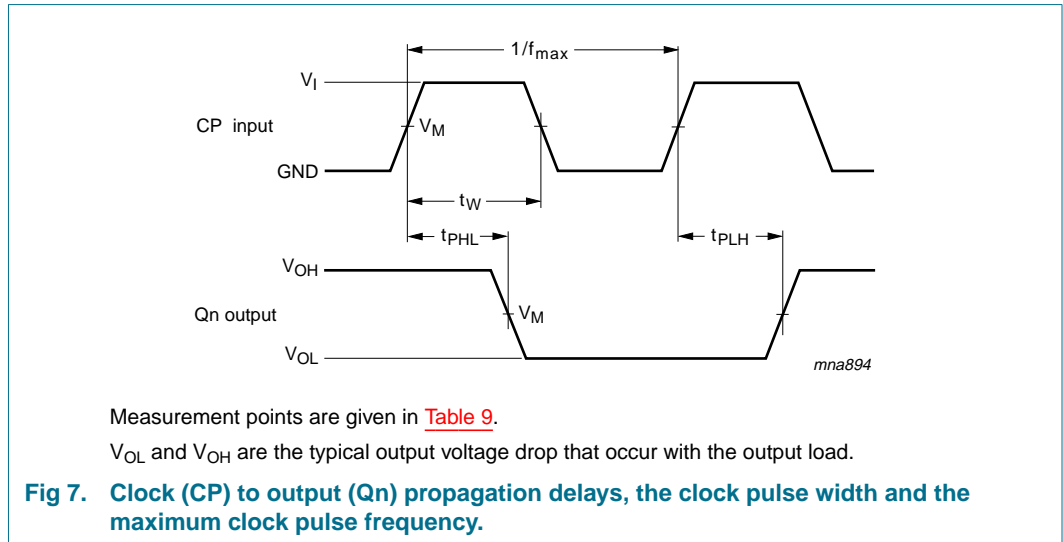


Table 9: Measurement points

Supply voltage	Input	Output
V_{CC}	V_M	V_M
$< 2.7\text{ V}$	$0.5 \times V_{CC}$	$0.5 \times V_{CC}$
$\geq 2.7\text{ V}$	1.5 V	1.5 V

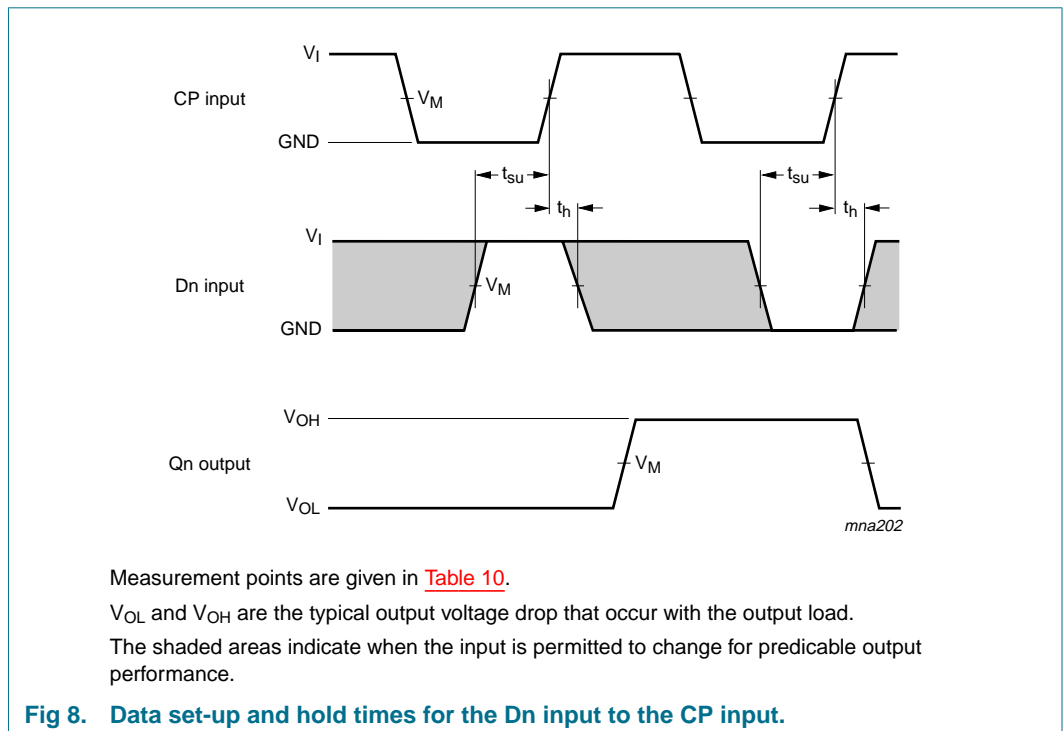


Table 10: Measurement points

Supply voltage	Input	Output
V_{CC}	V_M	V_M
$< 2.7\text{ V}$	$0.5 \times V_{CC}$	$0.5 \times V_{CC}$
$\geq 2.7\text{ V}$	1.5 V	1.5 V

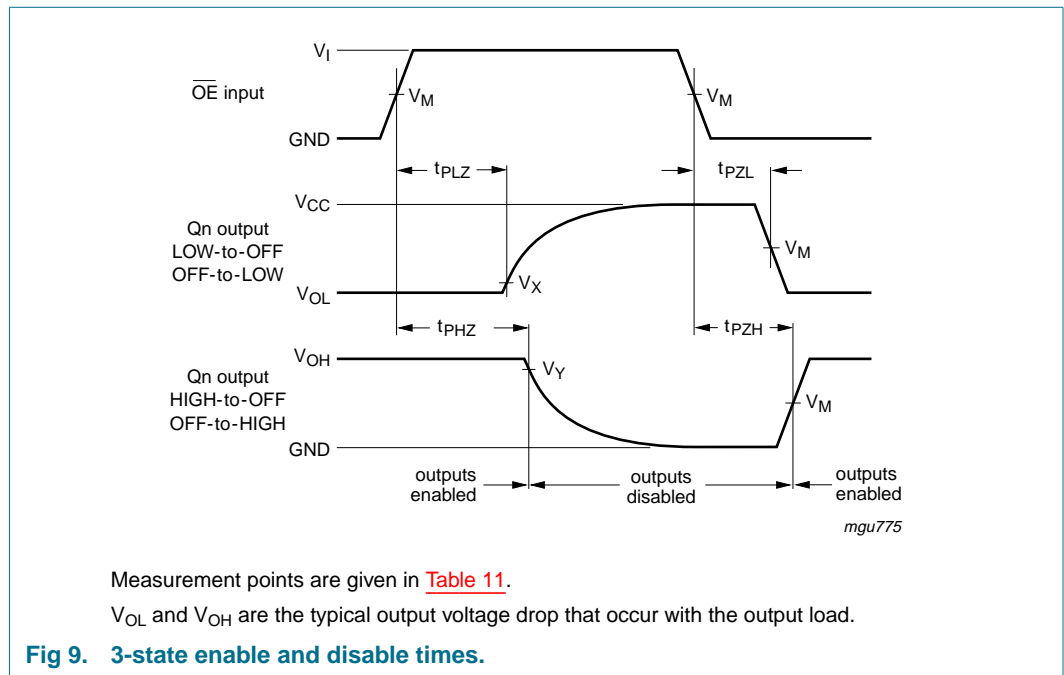


Table 11: Measurement points

Supply voltage	Input	Output	V_x	V_y
V_{CC}	V_M	V_M	V_x	V_y
$< 2.7\text{ V}$	$0.5 \times V_{CC}$	$0.5 \times V_{CC}$	$V_{OL} + 0.1 \times V_{CC}$	$V_{OH} - 0.1 \times V_{CC}$
$\geq 2.7\text{ V}$	1.5 V	1.5 V	$V_{OL} + 0.3\text{ V}$	$V_{OH} - 0.3\text{ V}$

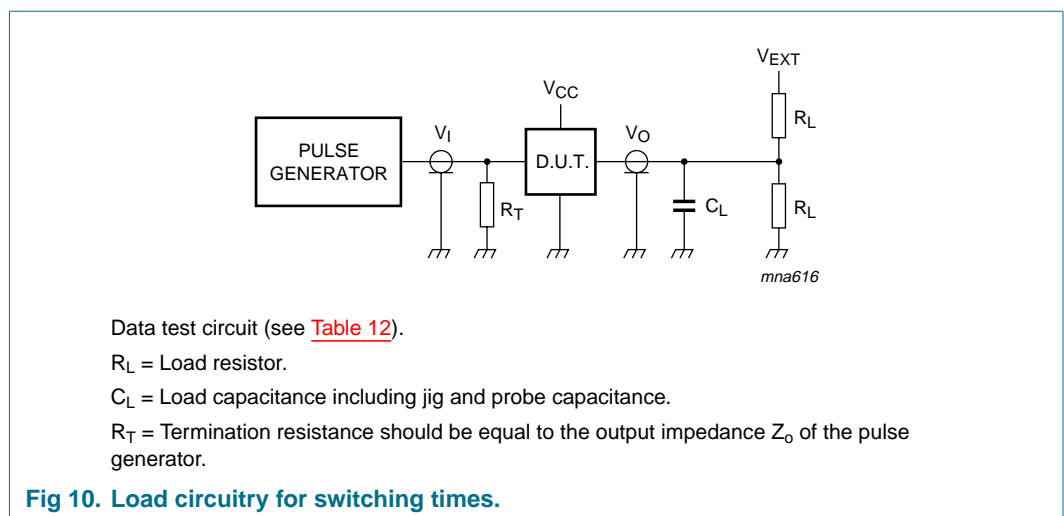


Table 12: Test data

Supply voltage	Input	Load		V_{EXT}		
V_{CC}	V_I	C_L	R_L	t_{PLH} , t_{PHL}	t_{PZH} , t_{PHZ}	t_{PZL} , t_{PLZ}
1.2 V	V_{CC}	50 pF	500 Ω [1]	open	GND	$2 \times V_{CC}$
2.7 V	2.7 V	50 pF	500 Ω	open	GND	$2 \times V_{CC}$
3.0 V to 3.6 V	2.7 V	50 pF	500 Ω	open	GND	$2 \times V_{CC}$

[1] The circuit performs better when $R_L = 1000 \Omega$.

13. Package outline

SO24: plastic small outline package; 24 leads; body width 7.5 mm

SOT137-1

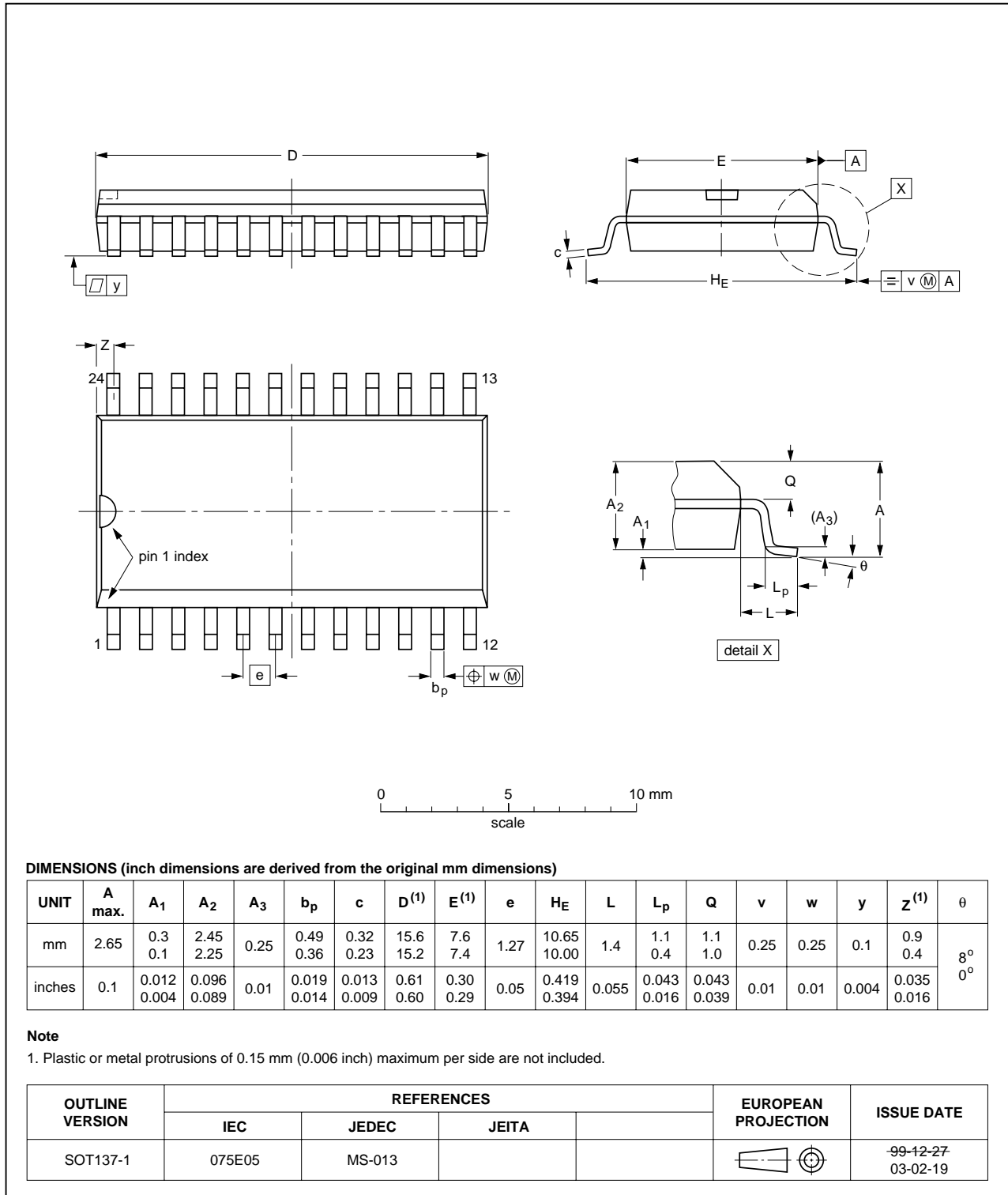


Fig 11. Package outline SO24.

SSOP24: plastic shrink small outline package; 24 leads; body width 5.3 mm

SOT340-1

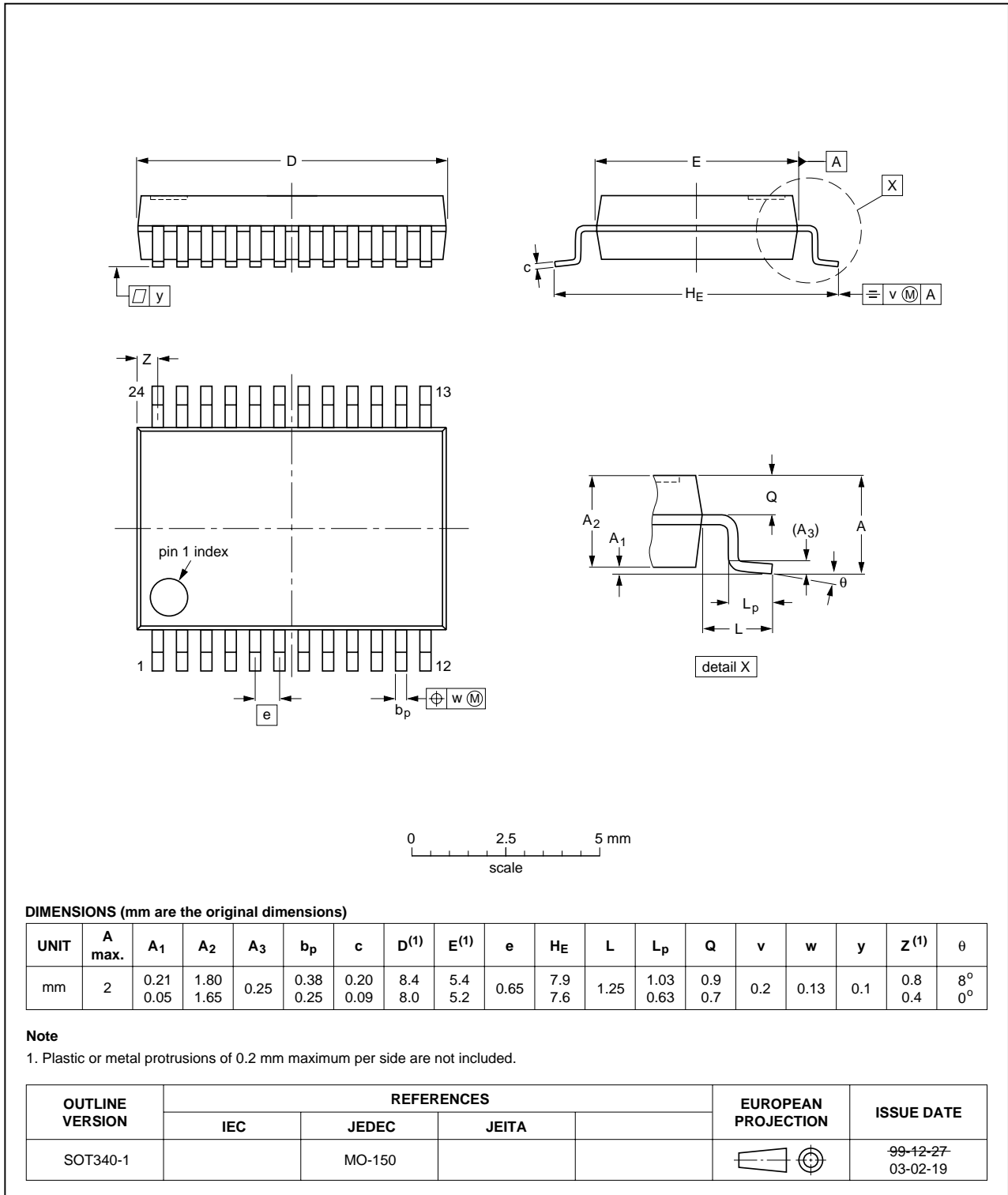


Fig 12. Package outline SSOP24.

TSSOP24: plastic thin shrink small outline package; 24 leads; body width 4.4 mm

SOT355-1

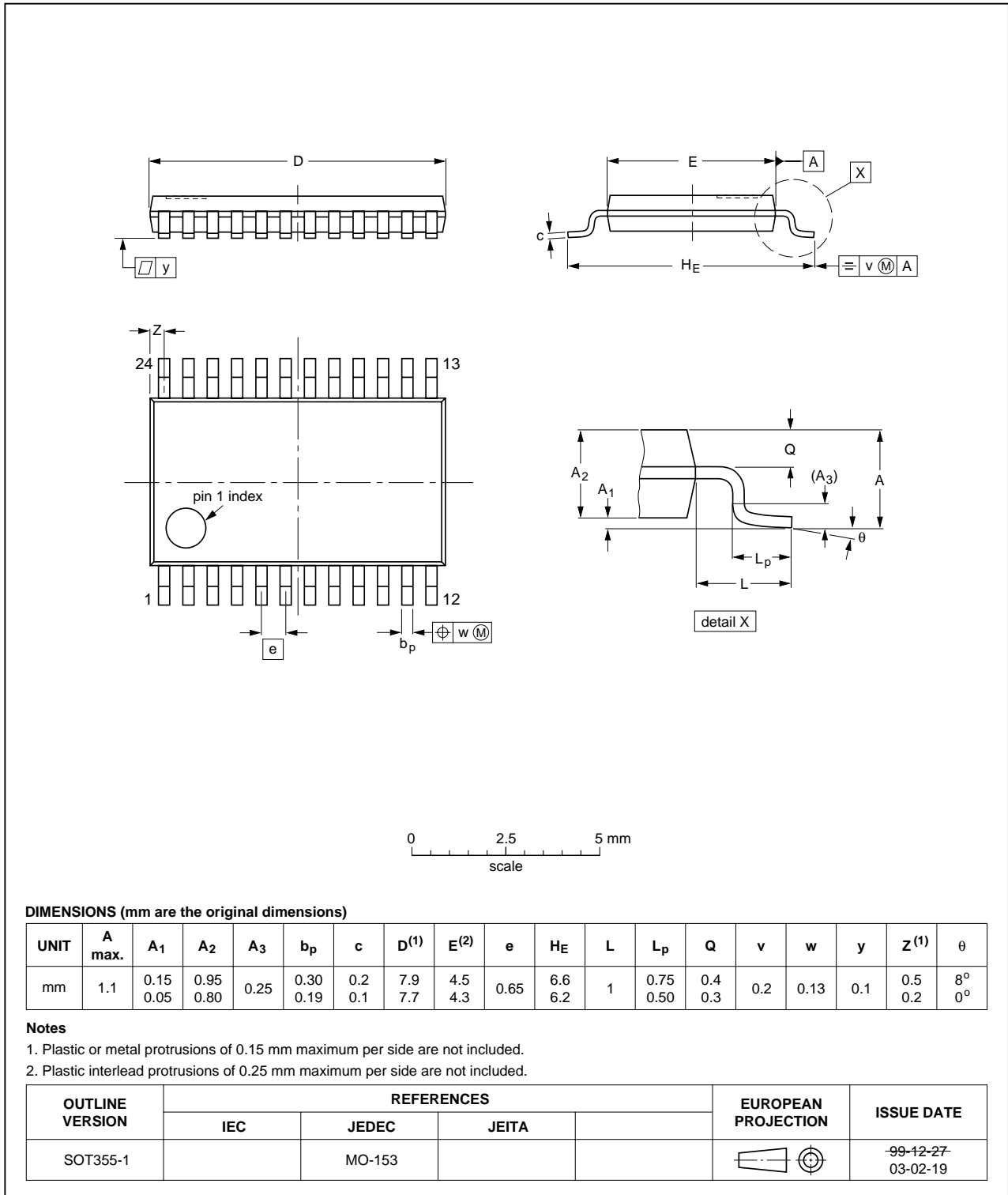


Fig 13. Package outline TSSOP24.

DHVQFN24: plastic dual in-line compatible thermal enhanced very thin quad flat package; no leads; 24 terminals; body 3.5 x 5.5 x 0.85 mm

SOT815-1

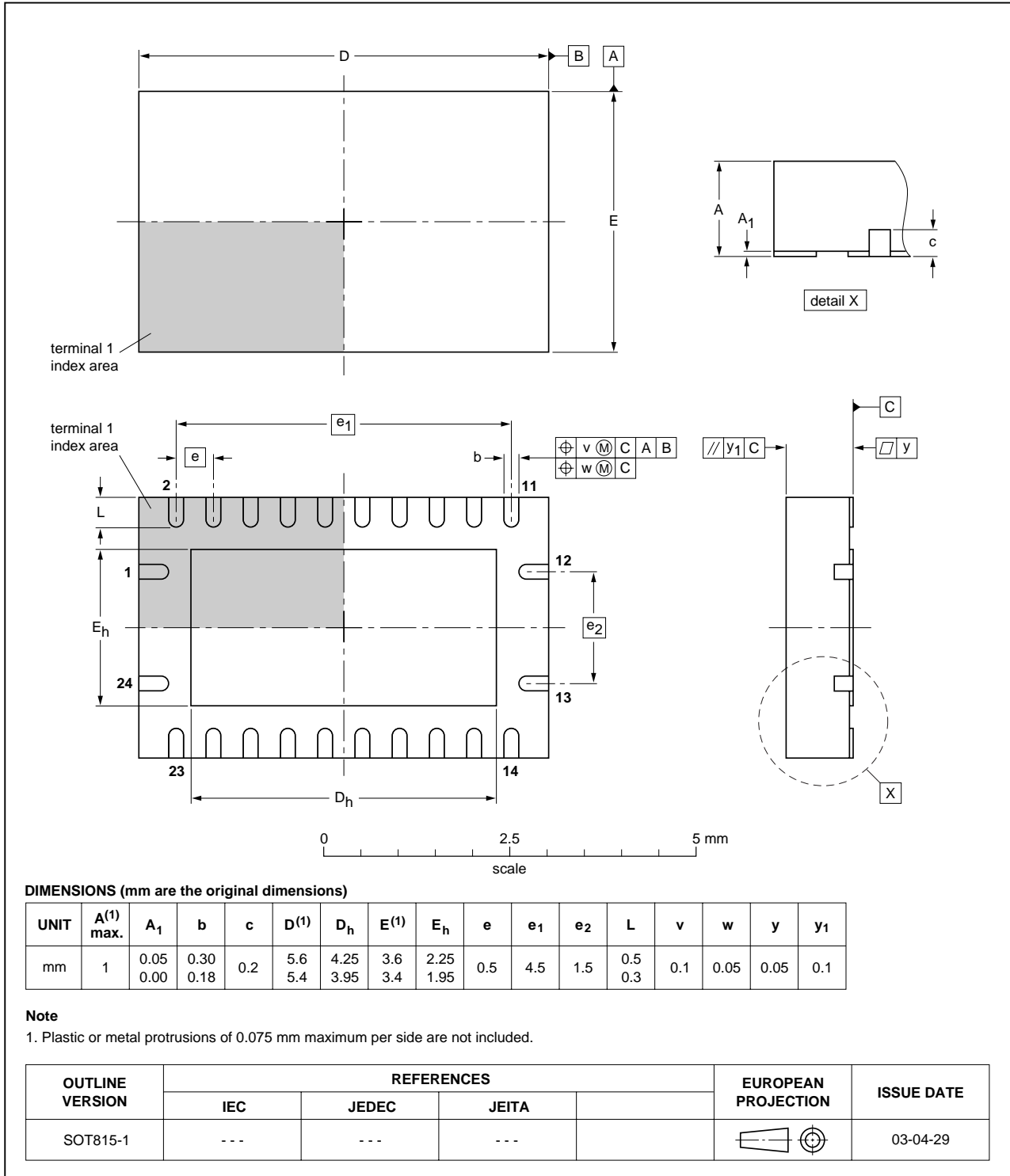


Fig 14. Package outline DHVQFN24.

14. Revision history

Table 13: Revision history

Document ID	Release date	Data sheet status	Change notice	Order number	Supersedes
74LVC821A_3	20040511	Product data	-	9397 750 13276	74LVC821A_2
Modifications:	• Figure 4 : corrected.				
74LVC821A_2	20040415	Product data	-	9397 750 13047	74LVC821A_1
74LVC821A_1	19980925	Product specification	-	9397 750 04584	-

15. Data sheet status

Level	Data sheet status ^[1]	Product status ^[2] ^[3]	Definition
I	Objective data	Development	This data sheet contains data from the objective specification for product development. Philips Semiconductors reserves the right to change the specification in any manner without notice.
II	Preliminary data	Qualification	This data sheet contains data from the preliminary specification. Supplementary data will be published at a later date. Philips Semiconductors reserves the right to change the specification without notice, in order to improve the design and supply the best possible product.
III	Product data	Production	This data sheet contains data from the product specification. Philips Semiconductors reserves the right to make changes at any time in order to improve the design, manufacturing and supply. Relevant changes will be communicated via a Customer Product/Process Change Notification (CPCN).

[1] Please consult the most recently issued data sheet before initiating or completing a design.

[2] The product status of the device(s) described in this data sheet may have changed since this data sheet was published. The latest information is available on the Internet at URL <http://www.semiconductors.philips.com>.

[3] For data sheets describing multiple type numbers, the highest-level product status determines the data sheet status.

16. Definitions

Short-form specification — The data in a short-form specification is extracted from a full data sheet with the same type number and title. For detailed information see the relevant data sheet or data handbook.

Limiting values definition — Limiting values given are in accordance with the Absolute Maximum Rating System (IEC 60134). Stress above one or more of the limiting values may cause permanent damage to the device. These are stress ratings only and operation of the device at these or at any other conditions above those given in the Characteristics sections of the specification is not implied. Exposure to limiting values for extended periods may affect device reliability.

Application information — Applications that are described herein for any of these products are for illustrative purposes only. Philips Semiconductors make no representation or warranty that such applications will be suitable for the specified use without further testing or modification.

17. Disclaimers

Life support — These products are not designed for use in life support appliances, devices, or systems where malfunction of these products can reasonably be expected to result in personal injury. Philips Semiconductors customers using or selling these products for use in such applications do so at their own risk and agree to fully indemnify Philips Semiconductors for any damages resulting from such application.

Right to make changes — Philips Semiconductors reserves the right to make changes in the products - including circuits, standard cells, and/or software - described or contained herein in order to improve design and/or performance. When the product is in full production (status 'Production'), relevant changes will be communicated via a Customer Product/Process Change Notification (CPCN). Philips Semiconductors assumes no responsibility or liability for the use of any of these products, conveys no license or title under any patent, copyright, or mask work right to these products, and makes no representations or warranties that these products are free from patent, copyright, or mask work right infringement, unless otherwise specified.

18. Contact information

For additional information, please visit: <http://www.semiconductors.philips.com>

For sales office addresses, send an email to: sales.addresses@www.semiconductors.philips.com

19. Contents

1	General description	1
2	Features	1
3	Quick reference data	2
4	Ordering information	2
5	Functional diagram	3
6	Pinning information	5
6.1	Pinning	5
6.2	Pin description	5
7	Functional description	6
8	Limiting values	6
9	Recommended operating conditions	7
10	Static characteristics	7
11	Dynamic characteristics	9
12	Waveforms	11
13	Package outline	14
14	Revision history	18
15	Data sheet status	19
16	Definitions	19
17	Disclaimers	19
18	Contact information	19



© Koninklijke Philips Electronics N.V. 2004

All rights are reserved. Reproduction in whole or in part is prohibited without the prior written consent of the copyright owner. The information presented in this document does not form part of any quotation or contract, is believed to be accurate and reliable and may be changed without notice. No liability will be accepted by the publisher for any consequence of its use. Publication thereof does not convey nor imply any license under patent- or other industrial or intellectual property rights.

Date of release: 11 May 2004
Document order number: 9397 750 13276

Published in The Netherlands